

The steps in drawing the Conveyor Link, Fig. 5-27, are shown in Fig. 5-28. First lay out the sheet, using Layout C (Appendix, page 474). Draw the main center lines, as shown in step I below; then draw the arcs, circles, and straight lines as shown in steps II to V. All lines should be light construction lines up through step V. Finally, heavy-in the final lines as shown in step VI.

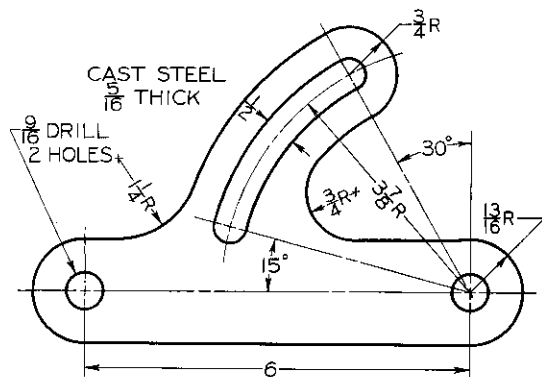
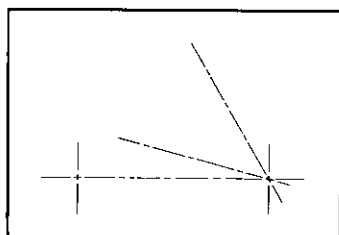
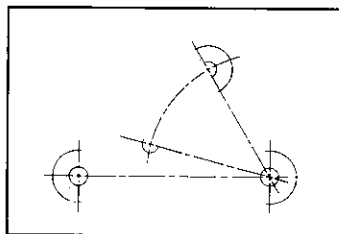


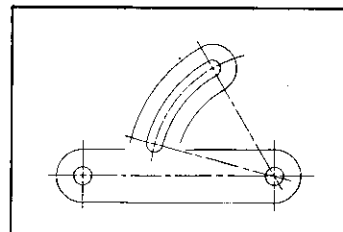
Fig. 5-27. Conveyor Link.



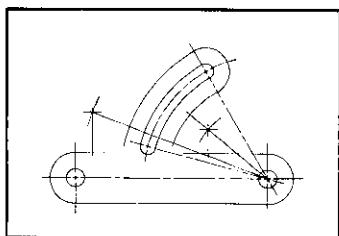
I. Draw center lines.



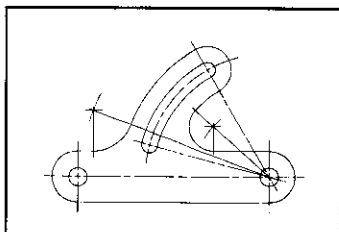
II. Draw circular arcs.



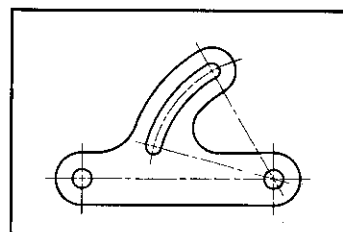
III. Draw connecting straight lines and arcs.



IV. Locate centers and points of tangency of tangent arcs.



V. Draw tangent arcs.



VI. Heavy-in all visible object lines.

Fig. 5-28. Steps in Drawing Conveyor Link.

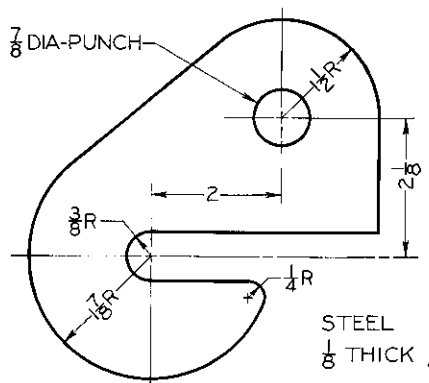


Fig. 5-29. Cover Plate (Layout C, Appendix, page 474).

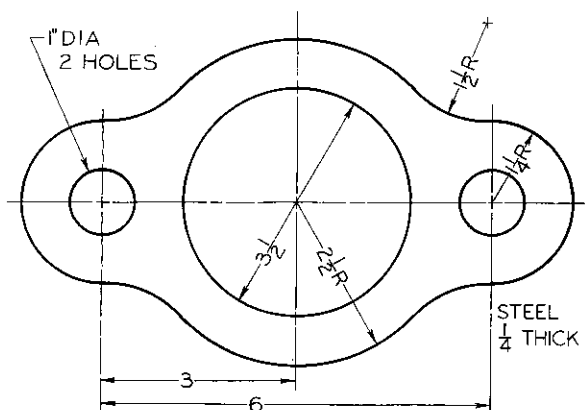


Fig. 5-30. Gasket (Layout C, Appendix, page 474).