

The steps in drawing the Adjusting Arm, Fig. 3-56, are shown in Fig. 3-57. First, lay out the sheet, using Layout A (Appendix, page 474). The working space inside the border is $10\frac{1}{2}$ " wide \times $7\frac{3}{8}$ " high, and the drawing is to be centered in this space. As shown in step I, draw the horizontal center line at mid-height on the sheet ($7\frac{3}{8} \div 2 = 3\frac{1}{16}$ "). Since the object is $8\frac{1}{4}$ " long overall, and the space is $10\frac{1}{2}$ " wide, the space on each side is $1\frac{1}{8}$ ", as shown.

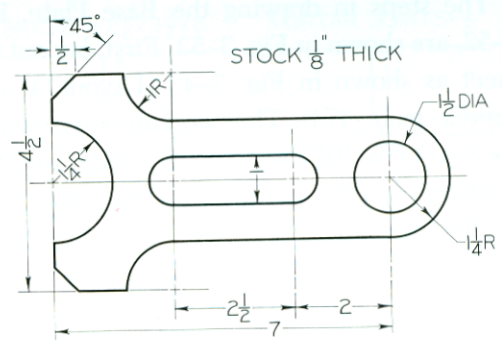
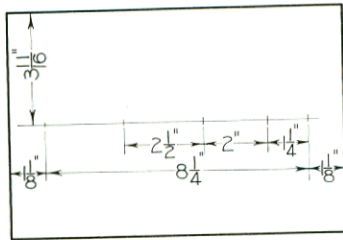
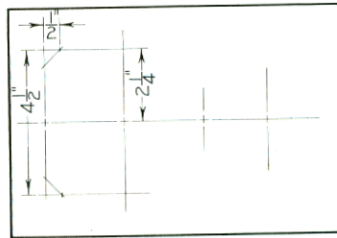


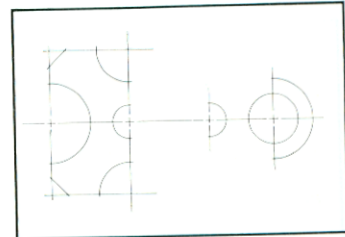
Fig. 3-56. Adjusting Arm.



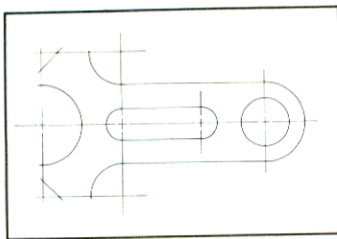
I. Draw horizontal center line and set off horizontal distances with scale.



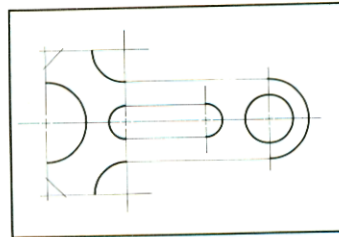
II. Draw vertical lines and construction arcs as shown.



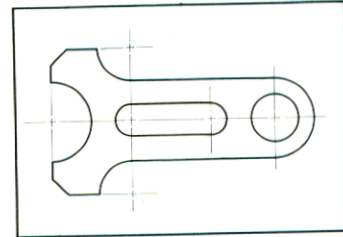
III. Draw construction arcs.



IV. Draw connecting straight lines.



V. Heavy-in arcs and circles.



VI. Heavy-in straight lines to complete drawing.

Fig. 3-57. Steps in Drawing Adjusting Arm (Layout A, Appendix, page 474).

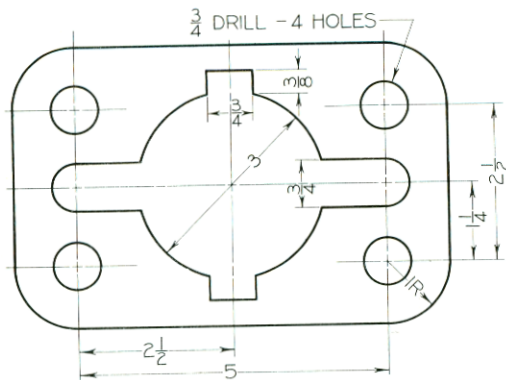


Fig. 3-58. Key Plate (Layout A).

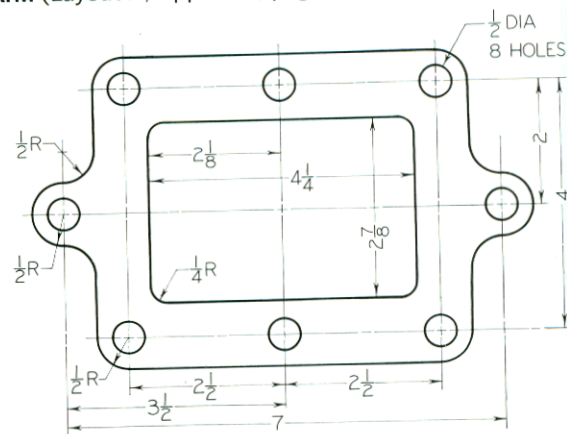


Fig. 3-59. Gasket (Layout A).