

The steps in drawing the Base Plate, Fig. 3-52, are shown in Fig. 3-53. First, lay out the sheet as shown in Fig. 3-43 (Layout A, Appendix, page 474). The working space inside the border is $10\frac{1}{2}$ " wide \times $7\frac{3}{8}$ " high, and the drawing is to be centered in this space. One method of spacing is shown in Fig. 3-45. Another is shown in Fig. 3-53, in which you locate the center of the working space by drawing diagonals and then making all measurements from this point.

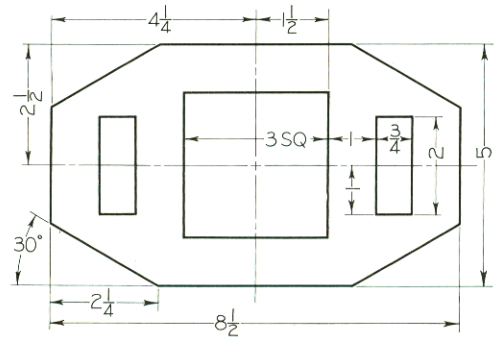
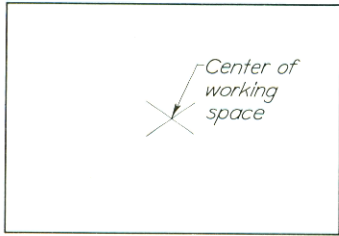
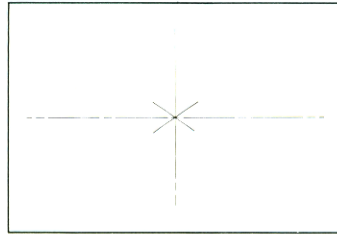


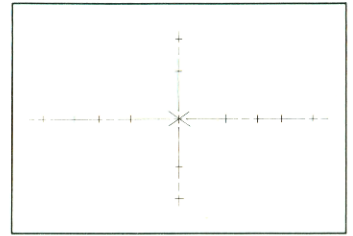
Fig. 3-52. Base Plate.



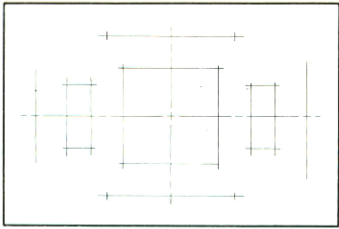
I. Locate center by drawing light diagonals.



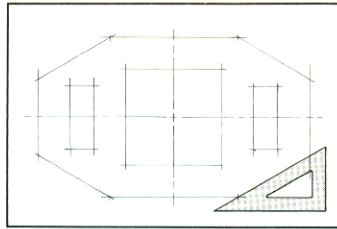
II. Draw center lines.



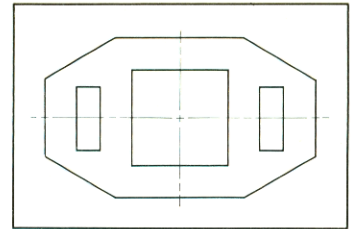
III. Set off vertical and horizontal distances.



IV. Draw horizontal and vertical construction lines.



V. Draw angles (note lines crossing at corners).



VI. Heavy-in final lines.

Fig. 3-53. Steps in Drawing Base Plate (Layout A, Appendix, page 474).

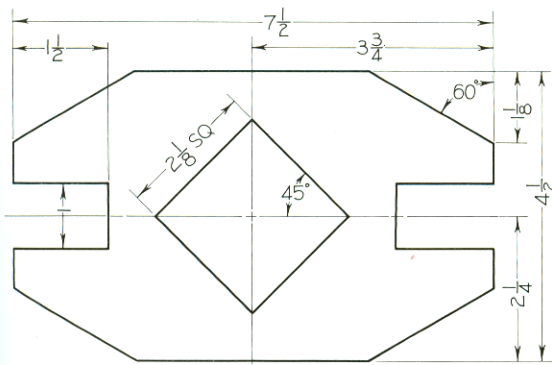


Fig. 3-54. Shim (Layout A).

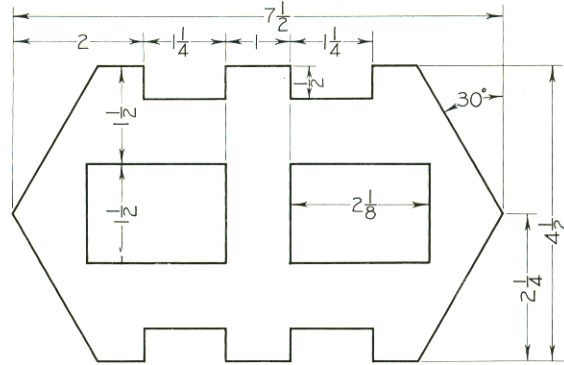


Fig. 3-55. Sheet Metal Stamping (Layout A).