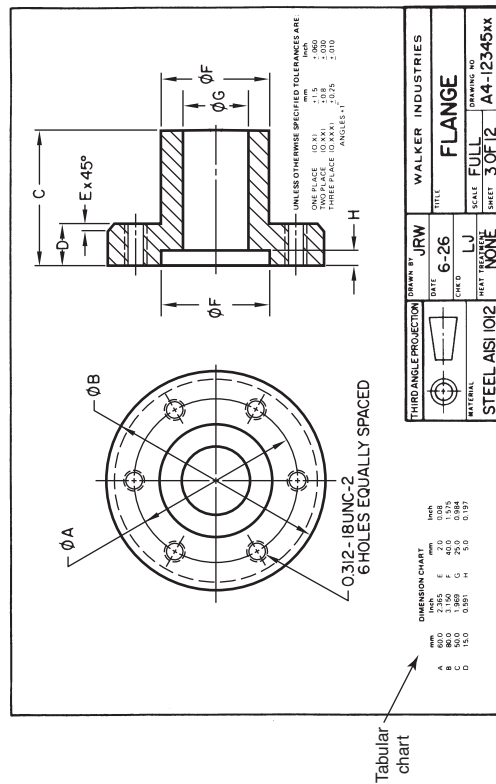
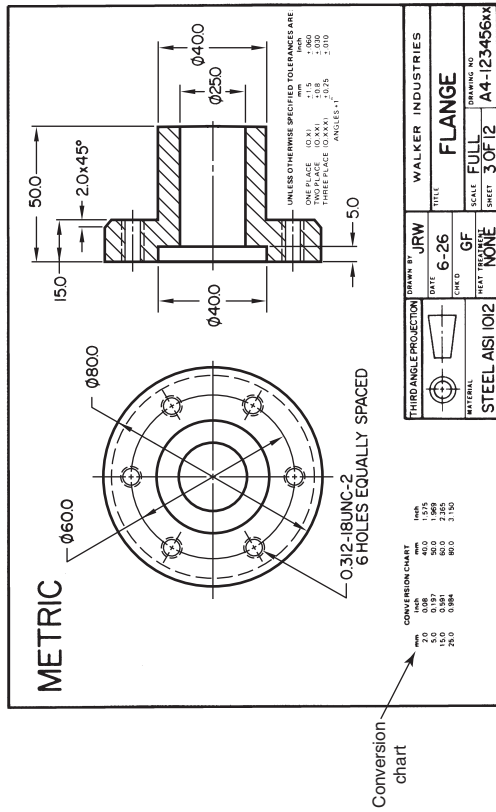


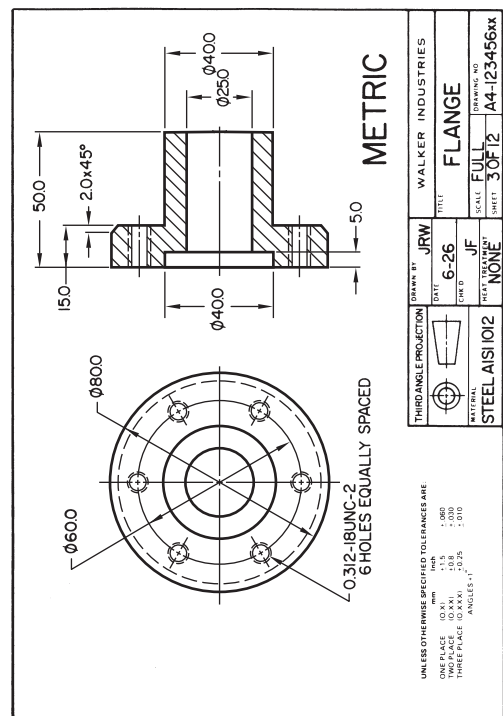
Metric Dimensioning Methods



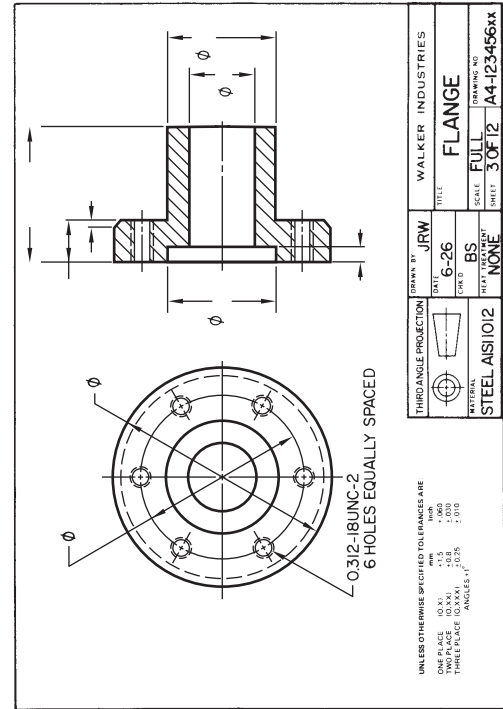
Letter Dimensioning with Tabular Chart



Metric Dimensions with Conversion Chart



Metric Units Only



Undimensioned Master Drawing