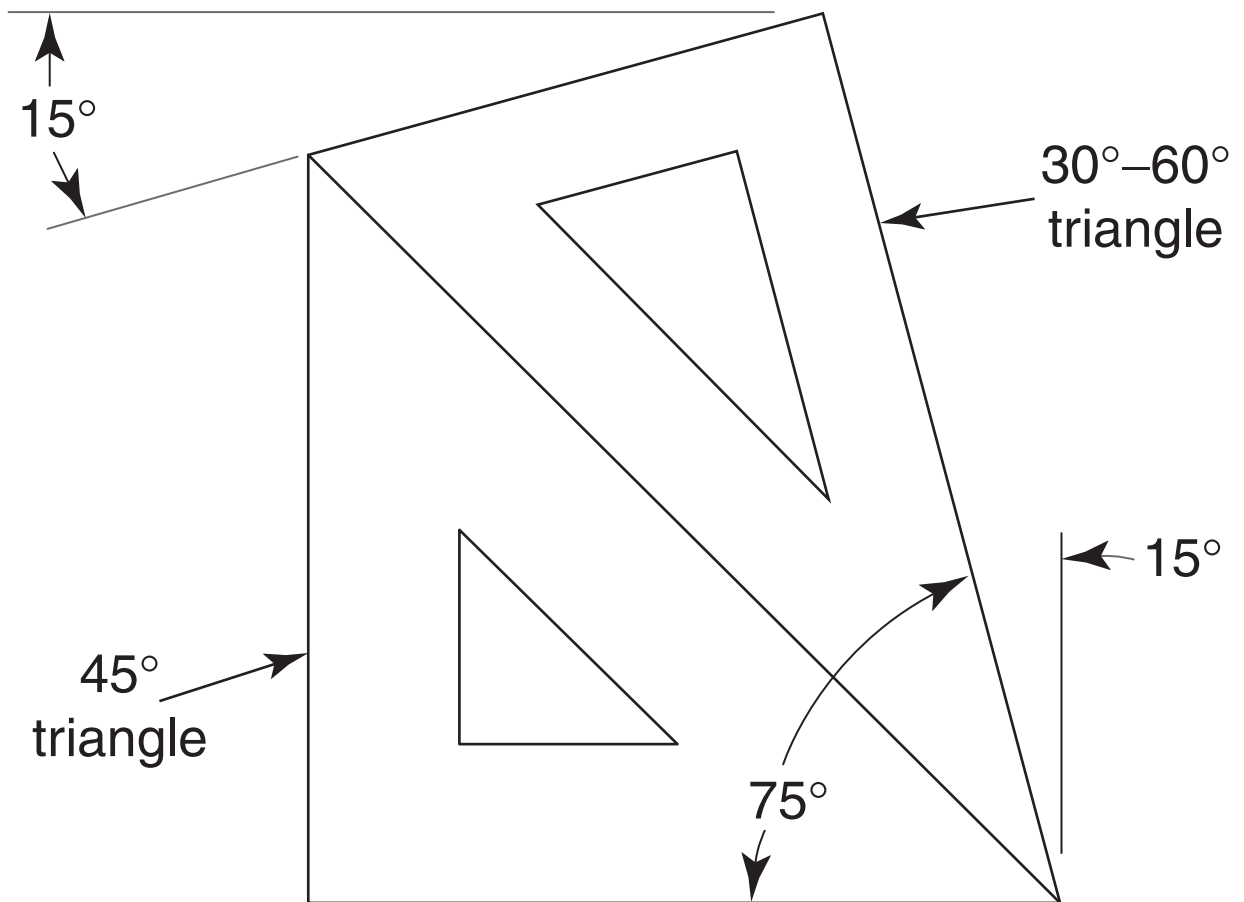


Triangles

Drawing 75° and 15° angles.



RM 4-1